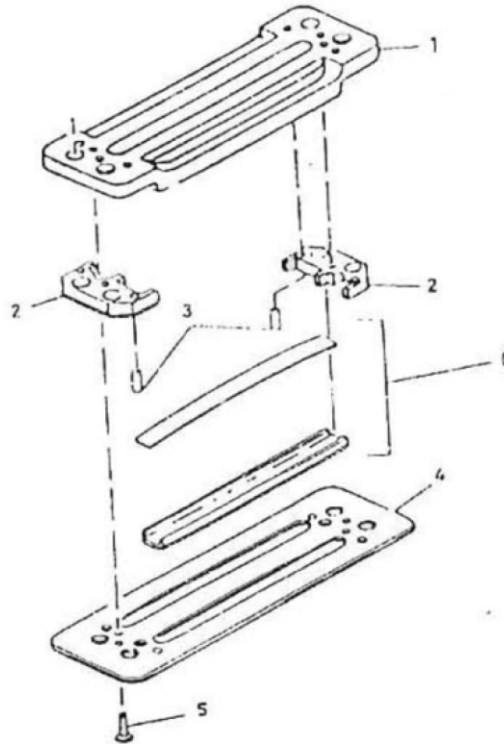


37020328 - VALVE DISCHARGE



No.	Description	Ref Part No.	QTY
-	VALVE DISCHARGE	37020328	-
1	- STOP PLATE	37074655	1
2	- GUIDE VALVE	37020294IM	2
3	- PIN DRIVE LOCK 1/8" X 9/16"	70233101	4*
4	- SEAT PLATE	37020302IM	1
5	- SCREW MACHINE	95110763	2
6	- CHANNEL & SPRING SET	37020369IM	1
-	- GUIDE CENTER	-	1

All manufacturer's names, numbers, photos, product description and/or part numbers are used for reference purposes only & it is not implied that any part listed is the product of these manufacturers. Since Approvement are made from time to time, the illustration and specifications are subject to change without notice.